

Features

- Track roller guide & Non drive type unit
- Customized options
- Easy maintenance

How to order

MG
①
40
②
S — 1000
③ ④
B — C2 — D2 —
⑤ ⑥ ⑦ ⑧

① **Series**

② **Model**

30 / 40 / 60 / 80 / 100

③ **Slider option**

S : STANDARD(4 roller bearings)

T : S + 2 additional bearings

H : S + 4 additional bearings

※ Please contact us for additional quantity of slider

④ **Stroke (Unit : mm)**

30 : 50~2800

40 : 50 ~ 3500

60 / 80 / 100 : 50 ~ 5500

※ Please contact us for longer stroke than standard

⑤ **Color**

Blank : White(outer)

B : Black (outer)

⑥ **Sensor(dog included)**

Blank : None

C : Photo sensor + Basic socket – Basic 3EA

CJ : C + Cable socket2M – Basic 3EA

Other than basic : C(J)(Q'ty) Example)C2,CJ2

⑦ **Mounting bracket**

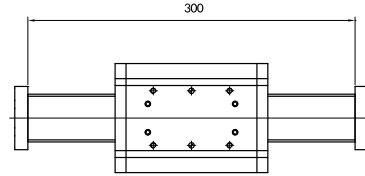
Blank : None

D(Q'ty) : necessary quantity example)D2,D3

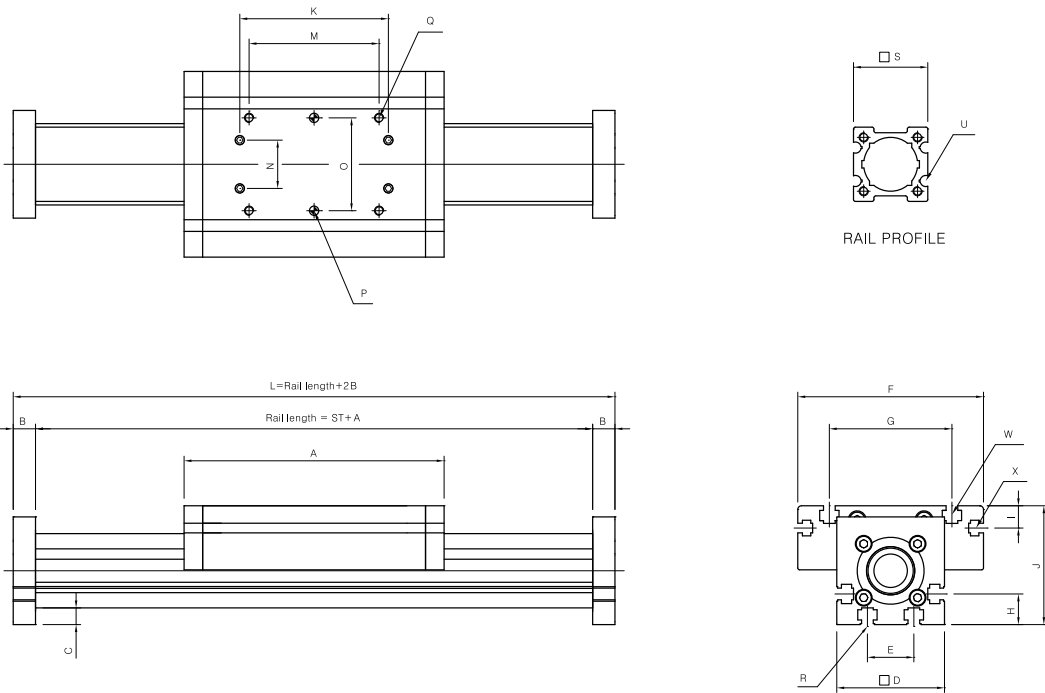
⑧ **Customized code**

Ordering of Module

MG40S-300



Dimensions



Size of model

Model	A	B	C	D	E	F	G	H	I	J	K	M	N	O	P	Q	S	U	W	X
MG40	140	12	9	58	25	100	66	17	12	64	80	70	26	50	Ø5H7 DP8	M5 DP12	40	M4 half moon nut groove	M6 nut groove	M5 nut groove
MG60	180	15	11	82	30	144	99	26	14	90	120	104	32	67	Ø5H7 DP8	M8 DP18	60	M5 nut groove	M8 nut groove	M5 nut groove
MG80	214	20	11	102	40	170	117	31	14	121	130	140	34	82	Ø6H7 DP8	M10 DP18	80	M5 nut groove	M8 nut groove	M5 nut groove
MG100	304	20	15	130	50	230	155	40	27	155	220	204	52	90	Ø6H7 DP8	M10 DP25	100	M5 nut groove	M8 nut groove	M5 nut groove